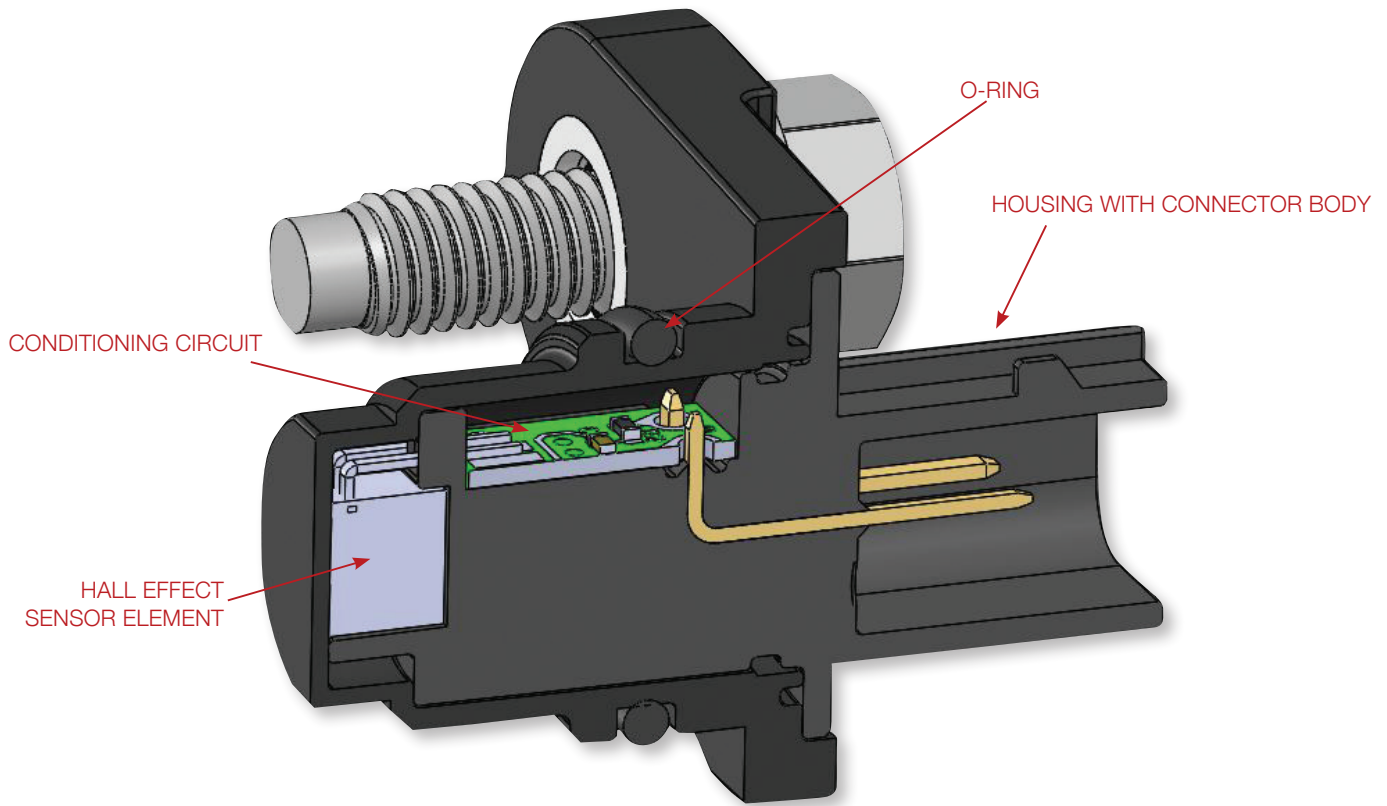


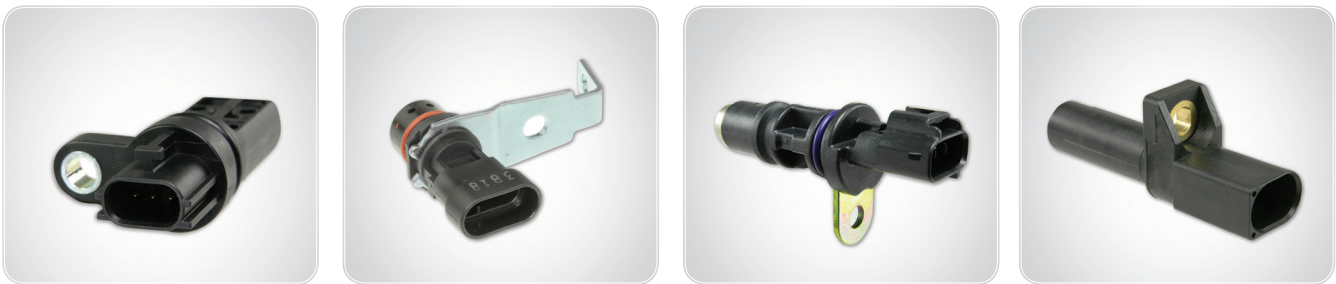
WELLS Cam & Crank Sensors

Wells Vehicle Electronics sensors are designed to perform in harsh engine environments, and are tested to extreme temperatures and vibration. Our sensors are available based on either Hall effect technology or variable reluctance technology. Wells offers a wide range of industry standard sensor packages and can create custom sensors with application specific mounting, electrical connectors, and threshold sensing. Sensors are available for operation on regulated 5-volt power and/or conditioned 12-volt power with typical operation from 4.5 to 16-volts.



WELLS CAM & CRANK SENSOR CAPABILITIES:

- Reliable, custom designs to meet harsh environments such as those in high vibration applications
- Sensors based upon proven magnetic technologies including Hall effect and variable reluctance
- Ability to provide custom programming of sensor output in production for critical applications
- Sealed connections prevent leaks, corrosion, and other environmental performance issues
- Available with three-wire open collector output, open drain output, or two-wire current outputs
- Hall effect sensors provide square wave output which eliminates the need for square-up function in the ECU
- Transient protection helps protect against stray electro-magnetic field interface
- Various mounting options including a choice of many existing designs, or custom designs



WHY CHOOSE WELLS?

- Over 15 years of experience in the design of camshaft and crankshaft position sensors for engine applications in automotive, marine, recreational, and industrial markets
- Designed to meet stringent industry electromagnetic interference standards
- ISO/TS 16949 certified manufacturer
- ISO 17025 certified validation test lab
- 100% end-of-line tested
- Extensive design validation testing including:
 - Mechanical shock and vibration
 - Temperature & humidity extremes
 - EMI/RFI
 - Fluid compatibility & ingress
 - Salt fog
 - Durability & life cycle

A division of NGK SPARK PLUG CO., LTD, Wells Vehicle Electronics has been a leader since 1903.



©2016 Wells Vehicle Electronics, L.P. All rights reserved.

WELLS
VEHICLE ELECTRONICS