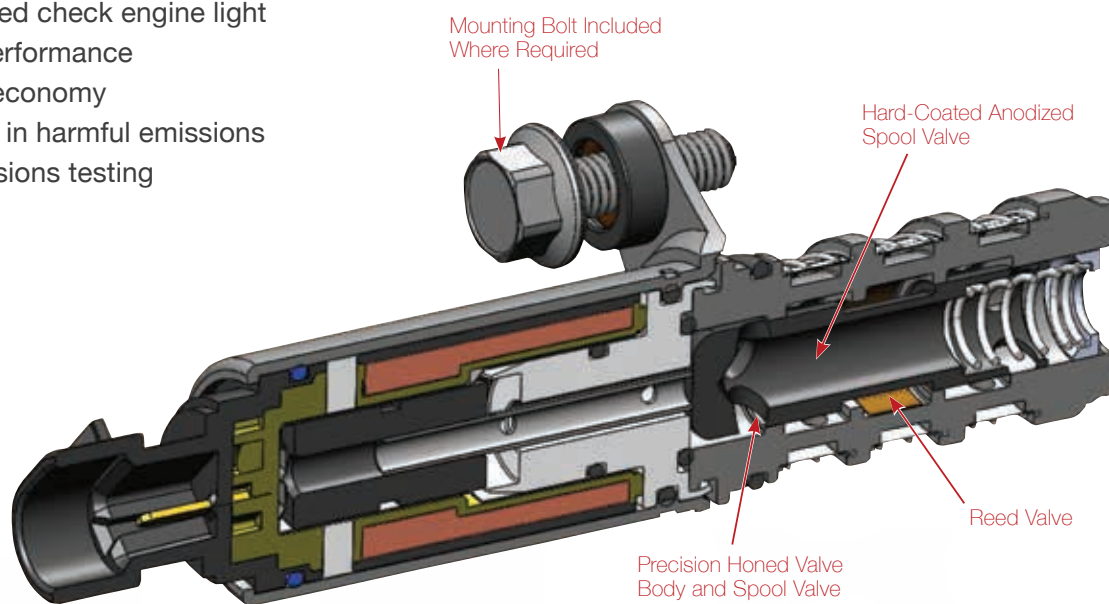


WELLS[®] Variable Valve Timing Solenoids

Designed to replace the external **EGR system**, a Variable Valve Timing solenoid (VVT) adjusts camshaft timing. VVT solenoids consist of an actuator and a hydraulic valve. They control engine valve timing for greater torque, horsepower and engine efficiency across all RPM ranges while controlling harmful emissions.

WHEN A VVT SOLENOID ISN'T WORKING CORRECTLY, CUSTOMERS COULD EXPERIENCE:

- An illuminated check engine light
- Reduced performance
- Lower fuel economy
- An increase in harmful emissions
- Failed emissions testing



WHY CHOOSE A WELLS VVT SOLENOID?

Designed for superior performance and reliability, Wells designs and manufactures its Variable Valve Timing solenoids to exactly match the OE design.

- Numerous product and quality tests during the assembly process
- Thermal-shock and durability testing
- 100% end-of-line inspected before going into the box
- **168 part numbers available** – more than double the competition
- Covering more than **99 million vehicles in operation**
- Matches OE form, fit and function
- Hard-coat anodized spool valve, where needed, for better wear resistance
- Precision-honed valve body, spool valve and reed valve prevent oil leakage
- Critical high-tolerance areas are gauge inspected to ensure consistent quality

A division of NGK SPARK PLUG CO., LTD, Wells Vehicle Electronics has been a leader since 1903.

WELLS
VEHICLE ELECTRONICS

Visit us at WellsVE.com

WORLD CLASS TECHNOLOGY

**COVERING MORE THAN 99 MILLION VEHICLES IN
OPERATION WITH 168 PART NUMBERS AVAILABLE**

TS1015

2007-2012
Buick, Chevrolet, GMC,
Pontiac, Saturn
2 Million VIO



TS1010

2004-2012
Ford, Lincoln, Mercury
3.1 Million VIO



TS1012

2002-2012
Buick, Cadillac, Chevrolet,
GMC, Hummer, Oldsmobile, Saab
2 Million VIO



TS1013

2004-2015
Buick, Cadillac, Chevrolet,
GMC, Pontiac, Saturn
2.3 Million VIO



TS1006

2009-2012
Ford, Mercury
480,000 VIO



TS1000

2007-2012
Ford, Lincoln
1 Million VIO



TS1001

2012-2013
Ford, Lincoln
4,800 VIO



TS1004

2003-2013
Ford, Lincoln,
Mazda, Mercury
2.3 Million VIO



TS1011

2007-2009
Ford, Mercury
190,000 VIO



TS1014

2007-2012
Buick, Chevrolet,
GMC, Pontiac, Saturn
2 Million VIO



WELLS TECH TIP - 1.800.558.9770

To increase the life of a VVT solenoid make sure customers use the correct oil specification and oil filter. Frequent oil changes are key, dirt particles in the oil and oil sludge can cause failure – as can extreme weather. Whenever you install a VVT solenoid, suggest setting up an ongoing maintenance schedule.